

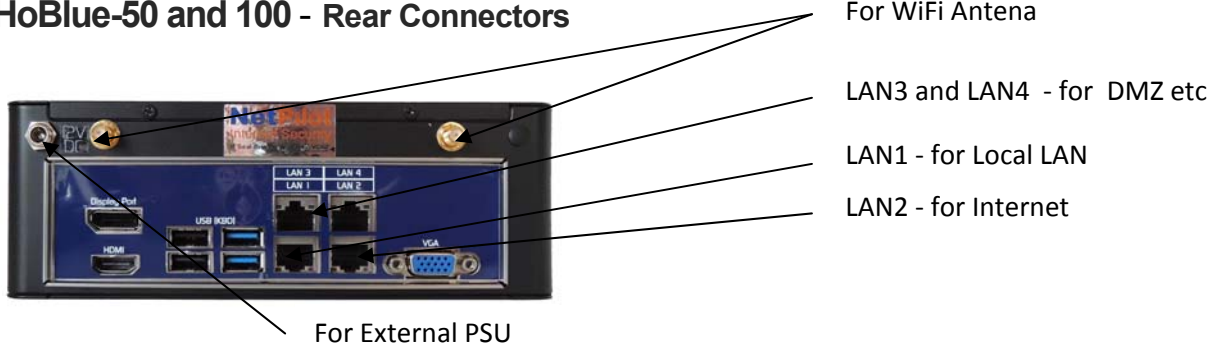
SoHoBlue-50 and 100 (V3) – Getting Started

Note: This guide and further information is available on <http://www.sohoblu.com/index-4.html>

SoHoBlue-50 and SoHoBlue-100 (V3)



SoHoBlue-50 and 100 - Rear Connectors



Getting Started – Physical Connection

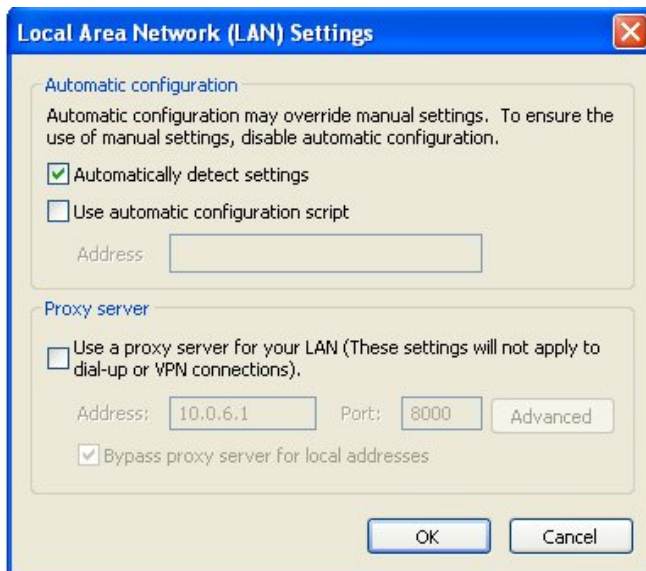
1. Remove unit from packaging.
2. Site the SoHoBlue in a suitable location without blocking any of the unit's air ventilation.
3. If using a direct connection between the PC (from which you will configure the unit) and the SoHoBlue, use supplied Ethernet LAN cable to connect to SoHoBlue port LAN1. If using a hub or switch, again connect Ethernet LAN cable to port LAN1 on SoHoBlue unit.
4. Connect SoHoBlue LAN2 port to external ADSL router/modem or other router providing internet connectivity. You may use a direct connection or be using intermediate hub or switch.
5. Connect external PSU unit to the SoHoBlue unit.
6. Switch on power to SoHoBlue and wait two minutes.
7. Once the SoHoBlue is operational power up your PC to undertake initial configuration.

SoHoBlue-50 and 100 (V3) – Getting Started

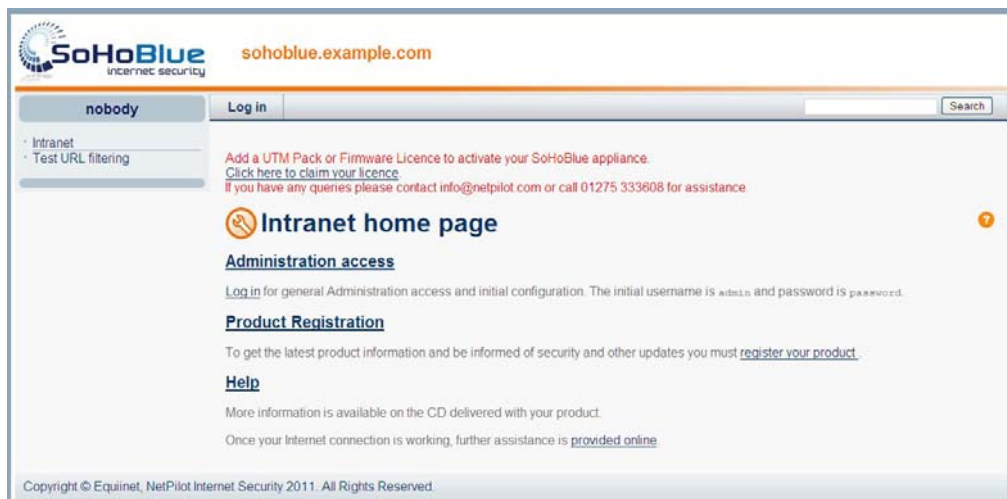
Getting Started – Logon as SoHoBlue Admin

Assumes use of a fully patched Windows PC and latest IE browser. These instructions relate to SoHoBlue units running V6 software.

1. Configure your PC to receive IP address and DNS settings via DHCP from the SoHoBlue.
2. Your browser needs to be set to detect “Automatic Settings” and any manual proxy setting needs to be removed. To check on the status and change the settings if necessary:
 - a. Select the **Tools** option dropdown on your browser.
 - b. Select **Internet Options** (the last item on the dropdown list).
 - c. Select the tab **Connections**.
 - d. Select the **LAN Settings** button towards the bottom of the page.
 - e. Ensure the tickbox **Automatically detect settings** is selected and enabled as shown below.
 - f. Ensure the tickbox **Use a Proxy server for your LAN** is deselected and disabled as shown below.



3. The SoHoBlue unit default address is **10.0.0.1** - so type into your browser <http://10.0.0.1>
4. Your browser should then display SoHoBlue Home Page as shown below:

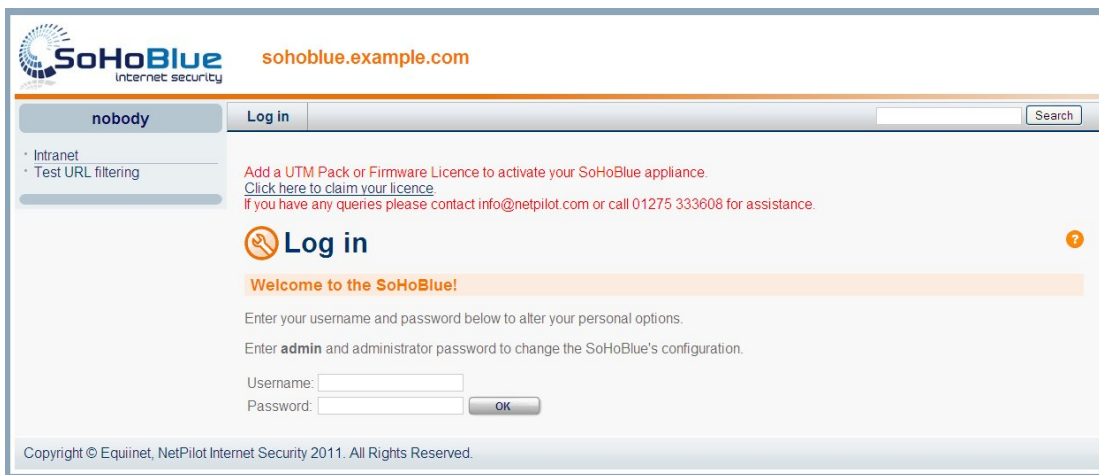


SoHoBlue-50 and 100 (V3) – Getting Started

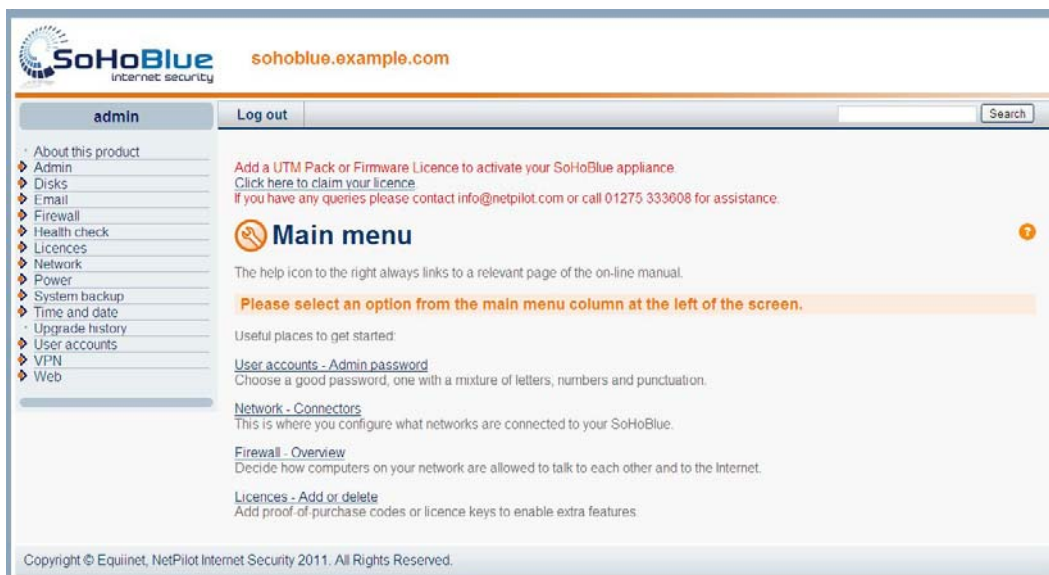
- Click on the **Administration Access** link.
- Depending on your browser version and configuration you may see a bar with a message **To help protect your security Click for options** – as shown below. If this is the case click on the bar and select **Display Blocked Content**.

To help protect your security, Internet Explorer has blocked this website from displaying content with security certificate errors. Click here for options...

- Alternatively if you see a message “There is a problem with this website’s security certificate”, select the second option: **Continue to this website (not recommended)**.
- The SoHoBlue default logon details are: Username: **admin** Password: **password**. Enter these details in the appropriate fields as shown below:



- Once logged in, you should change your username and password for security purposes. Use the first link option in middle of the main menu screen.
- If your WAN side internet router/modem is set up in a suitable fashion, then it will automatically provide the SoHoBlue with IP address information and you should be able to browse externally.
- If this is not the case you will have to manually configure the LAN2 software configuration to be compatible with your router. This is achieved using the **Connectors** link – the second option in the middle of the main menu screen. See below:



SoHoBlue-50 and 100 (V3) – Getting Started

12. Both LAN1 and LAN2 will be initially set as **Quick Configuration** (as shown below). These settings will need amending depending on your connected LAN types, addresses and types of operation.
13. For detailed information regarding **Connectors** go to <http://www.netpilot.com/netpilot/support/V6knowledgebase.asp>



Getting Started – Adding your UTM Licenses

To fully activate your unit you need to add a valid UTM license.

A UTM Licence (valid for 12 months) is included in the cost of your new SoHoBlue unit.

Before adding any licenses to the new unit you will need. to:

- Make a note of the serial number on the underside of the unit.
- Claim the Proof of Purchase (POP) code used in the licensing procedure.
This can be done by:
 - Phone: 01275 333 608
 - By Email: info@sohoblue.com
 - Online: <http://www.netpilot.com/ordering/default.asp#sohoblue>

In addition to UTM protection, the UTM Licence provides you with firmware upgrades and technical support.

NB: Once the UTM Licence is activated the unit will automatically update its database of virus signatures and other security items and you will not be able to browse the internet until this operation is complete.

NB: Without either a valid UTM Licence or Firmware Licence the unit cannot be made fully operational.

Any questions: email: support@sohoblue.com